

Multi Spindle Screw Driving Machines

FEEDMAT FM5000

Multi-spindle screwdriver, for efficient and effective screw tightening process.

Multi-spindle screwdriver which is based on experience and technology. Equipped with an AC servo driver that ensures fine screw tightening control and high durability, FM5000 supports high quality and workability improvement in multiple screw tightening operation.

Features

■ Optimum screw tightening

FM5000 is equipped with the KX Driver as standard feature.

■ Efficiency improvement

FM5000 enables simultaneous screw tightening with 2 to 6 spindles. Screws can be supplied instantaneously and automatically by air feeding.

■ Compact body

Height of the machine body except for machine base is reduced 20% than conventional model.

■ Fault indication

A fault will be indicated by buzzer, and can confirm faulted position by each LED.

■ Many varieties of options

- Fault detecting function
- Various setting date can be changed by touch operation panel



Operation box



Touch operation panel
【Optional】



Example of machine configuration.

Multi Spindle Screw Driving Machines

FEEDMAT FM5000

● Specifications

Number of spindle	2~6 spindles	
Applicable Screws ※1	Nom Dia.	2~5mm
	Length	Max.25mm
Allowed torque range ※2	0.16~3.50N•m	
Driver motor	KX Driver	
Tightening stroke	50、100mm	
Standard screw tightening area	D:160mm × W:190mm	
Screw holding system	Chuck claw	
Fault detections	Faulty screw tightening (Faulty torque)	Standard feature
	Faulty screw height	Option
	Screw feed	Option
	Fault indication ※3	Buzzer, LED for each spindle
Power supply	1φ 200VAC~230VAC 50/60Hz	
Working air supply	0.4~0.5MPa	
Machine weight	180kg(Except feeder)	
Screw feeder	FF503H	
	(1 or 2 spindles: 1pc, 3 or 4 spindles: 2pcs, 5 or 6 spindles: 3pcs)	
Standard paint color	Overall cover: Munsell 5PB8/1 Control box and machine base: Munsell 5PB4/2	

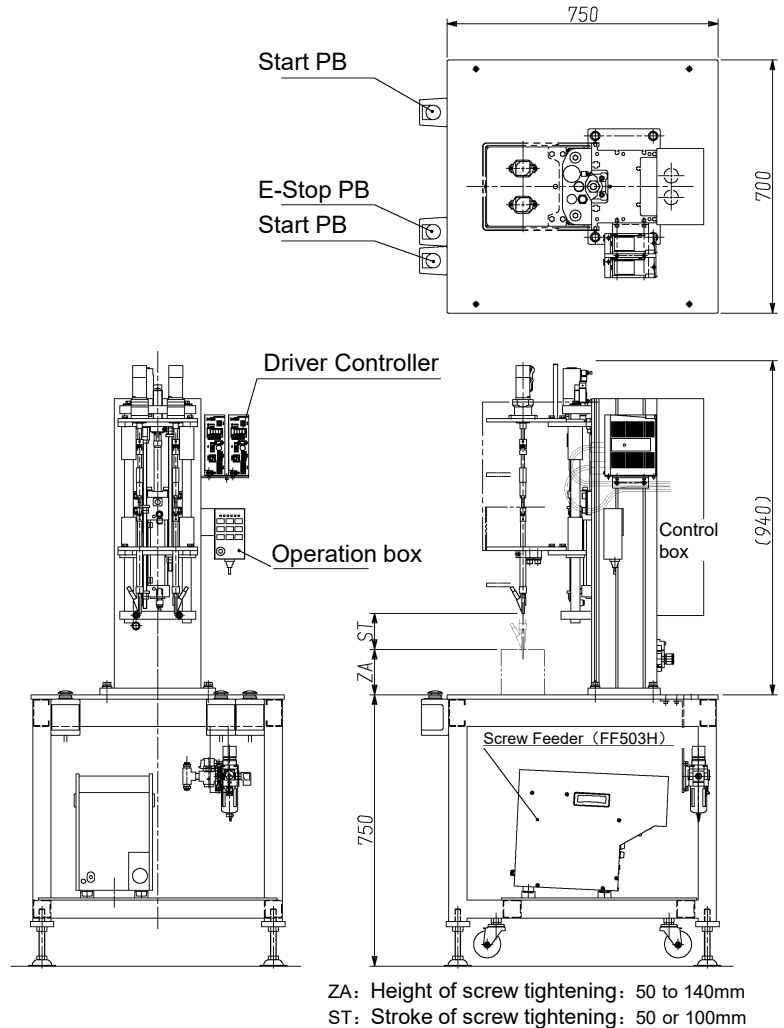
Note 1: Products will be built up based on the specification of screws, therefore it can be used for one kind of screws only. Application range of screws will be changed by screw size and type of screw head shape. Please contact us to make sure these matters.

It will be available to use the driving for the nut and stud bolt also.

Note 2: The type of driver varies depending on target torque. High torque type is optionally available.

Note 3: Fault indication is provided for each spindle (up to 6 spindles). LED lights or blinks depending on fault condition.

● Outside dimensions(:mm) (In case of 2-spindles)

**FM5000 is equipped standard screwdriver, "KX Driver".**

KX Driver is developed by screw manufacturer's expertise based on experience and technology.

KX Driver

SD550 series AC servo screwdriver, "KX Driver"

KX Driver can set up screw tightening conditions as torque, speed and etc. individually, according to condition of screws and products.

KX Driver is effective for products of plastic or thin plate that are difficult to tighten properly with conventional screwdriver.

Features:

*Torque, speed, time, angle and other parameters can be setup individually.

*KX Driver has 16 channel of setting, and can be chosen by external I/O. Of course, each channel can be setup different condition.

NITTOSEIKO CO.,LTD.

Assembly Machine Division / Shiroyama Plant
Global Sales Section

2, Shiroyama, Ayabe city, Kyoto 623-0003, Japan

TEL: +81-773-42-1290 FAX: +81-773-45-3680

URL: <https://www.nittoseiko.co.jp/en.html>

● Specifications and other matters are subject to modifications for performance improvements without notice.
● Unique nouns like the product name indicated in this brochure are registered or not registered trademark of each company.