

# FEEDER series

F A S T E N I N G I N N O V A T I O N  
f o r T H E F U T U R E



DF200



FF311DR



FF503H



FF801H











## Auxiliary hopper for less frequent screw filling (Optional)

### Separate installation space is not needed.

The hopper is directly mounted on the screw feeder and does not need as much installation space needed by a conventional auxiliary hopper.

**Easy screw filling** The barrel is removable.

### Low noise

The motor-driven hopper generates very low running noise.

### Easy mounting and dismounting

The hopper is a hanger type and can be easily mounted and dismounted.

### 【 Specifications 】

Model number	SH200	SH300
Hopper capacity	Approx. 2000mL	
Power supply	AC100V 50/60Hz	24VDC(from feeder: FF/FM503H)
Drive source	Induction motor	Stepping motor
Hopper action detection	Proximity switch	
Paint color	Hammerstone blue	
Machine weight	Approx. 4.5kg	
Applicable feeder model	FF801H	FF311DR, FF503H

Note 1: Screw length is 30mm or less and nominal dia., M2-M5.

### Basket level sensor is standard

Constant screw level maintained in main feeder basket.



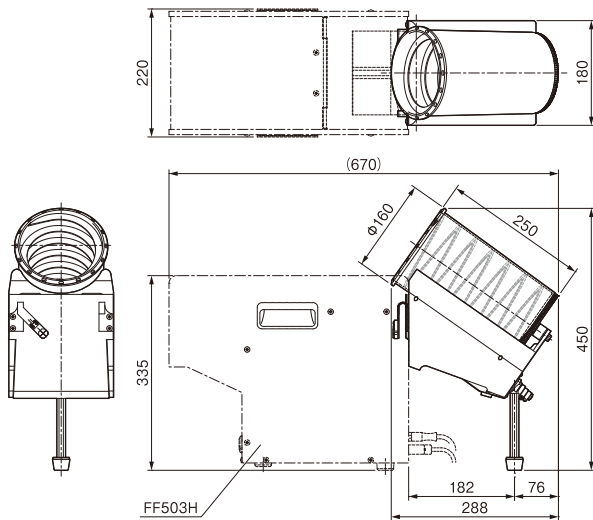
### Drop prevention chute(Optional)

Prevents screws from dropping out of the feeder while screws are supplied.



plus  
+1

### 【 Outside dimension 】 Unit:mm



### 【 Application example 】

#### ●FF311DR+SH300

The hopper is mounted on the FF311DR top or rear in accordance with the mounting space.



#### ●FF503H+SH300



#### ●FF801H+Auxiliary hopper

※Hopper capacity is 5L or 30L.



## FEEDMAT Handheld screw driving tool

Handheld FEEDMAT types comprising feeders and fastening units are also available.



FM311DR-BL



FM503H-BL



FM503H



FM801H

※For more information, see our website or contact the nearest sales office.

## NITTOSEIKO CO.,LTD.

Assembly Machine Division / Shiroyama Plant  
Global Sales Section

2,Shiroyama-chou,Ayabe-city,Kyoto 623-0003,Japan  
TEL:+81-773-42-1290 FAX:+81-773-45-3680  
URL:<https://www.nittoseiko.co.jp/en.html>

●Specifications and other matters are subject to modifications for performance improvements without notice.  
●Unique nouns like the product name indicated in this brochure are registered or not registered trademark of each company.